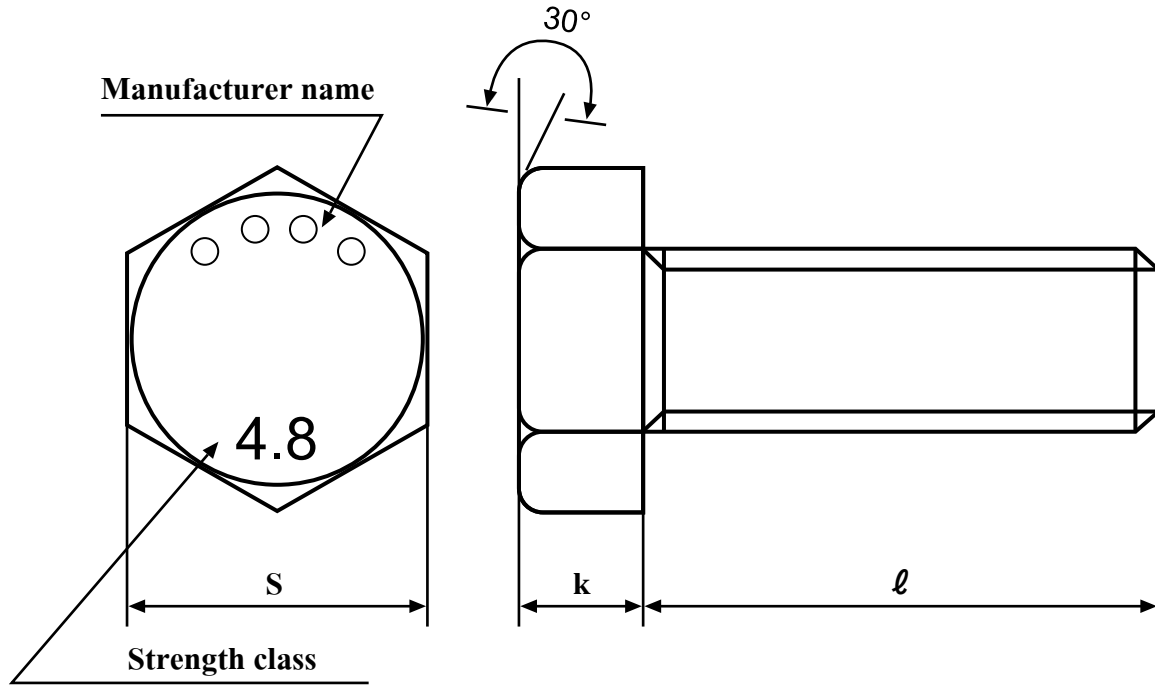


**Drawing / Standard**  
**【4.8 Hexagon bolt (Full-thread)】**



Nominal size (d)	Pitch	k		S	
		Dimension	Tolerance	Dimension	Tolerance
M5	0.8	3.5	± 0.15	8	0 -0.2
M6	1.0	4	± 0.25	10	0 -0.6
M8	1.25	5.5		13	0
M10	1.5	7	± 0.3	17	-0.7
M12	1.75	8		19	0 -0.8
M14	2.0	9		22	
M16	2.0	10		24	
M18	2.5	12	± 0.35	27	-0.8
M20	2.5	13		30	
M22	2.5	14		32	
M24	3.0	15		36	
M27	3.0	17	± 0.4	41	0 -1.0
M30	3.5	19		46	
M33	3.5	21		50	
M36	4.0	23		55	
M39	4.0	25	± 0.5	60	0 -1.2
M42	4.5	26		65	
M45	4.5	28		70	
M48	5.0	30		75	
M52	5.0	33	± 0.5	80	0
M56	5.5	35		85	
M64	6.0	40		95	