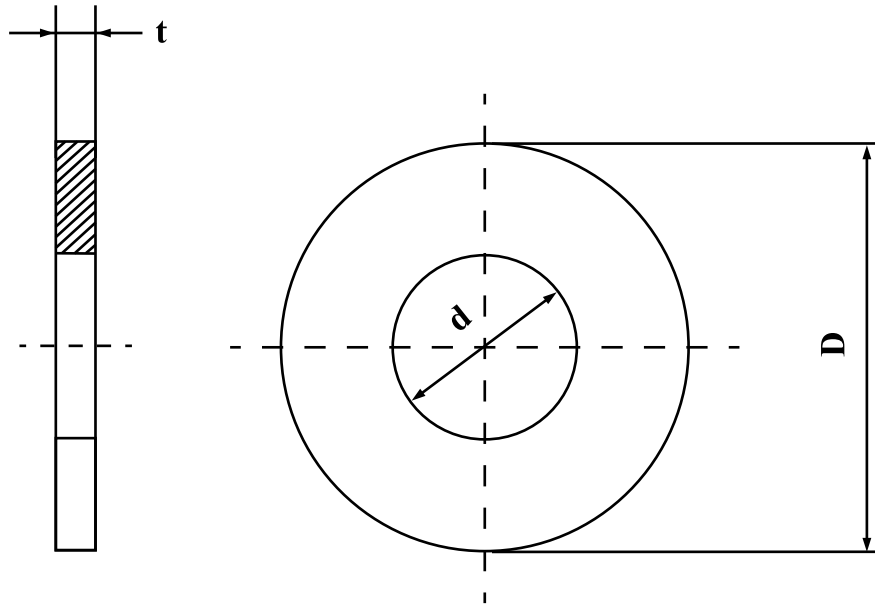


Drawing / Standard
【Washer (ISO)】



Nominal size	d		D		t	
	Dimension	Tolerance	Dimension	Tolerance	Dimension	Tolerance
2	2.2	+0.15 0	5	0 -0.3	0.3	± 0.04
2.3	2.5		6.5	0 -0.35	0.5	± 0.05
2.5	2.7		6.5		0.5	
2.6	2.8	6.5	0.5			
3	3.2	+0.2 0	7	0 -0.35	0.5	± 0.1
4	4.3		9		0.8	
5	5.3		10		1	
6	6.4	+0.25 0	12.5	0	1.6	± 0.15
8	8.4		17	-0.3	1.6	
10	10.5	+0.3 0	21	0 -0.5	2	± 0.2
12	13		24		2.5	± 0.25
14	15		28		2.5	
16	17		30		3	
18	19	+0.35 0	34	0	3	± 0.3
20	21		37	-0.6	3	

Nominal size	d		D		t	
	Dimension	Tolerance	Dimension	Tolerance	Dimension	Tolerance
22	23	+0.35 0	39	0 -0.6	3	± 0.3
24	25		44		4	
27	28		50		4	± 0.4
30	31	+0.4 0	56	0 -0.8	4	± 0.5
33	34		60		5	
36	37		66		5	
39	40		72		6	± 0.6
42	43		78		7	± 0.7
45	46		85		7	
48	50		92		8	
52	57	98	8			
56	58	105	9			
60	62	+0.5 0	110	0 -1	9	± 1
64	66		115		9	
68	70		120		10	
72	74		125		10	
76	78		135		10	
80	82		140		12	
					0	± 1
					-1.2	